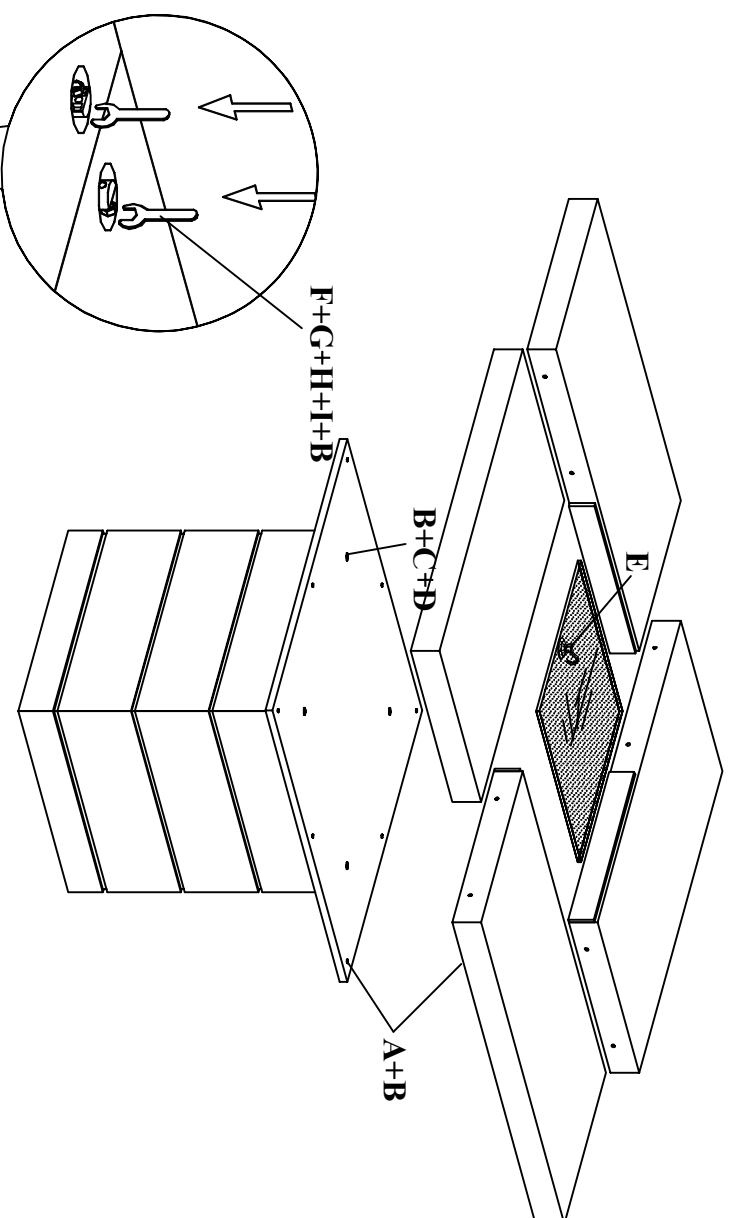









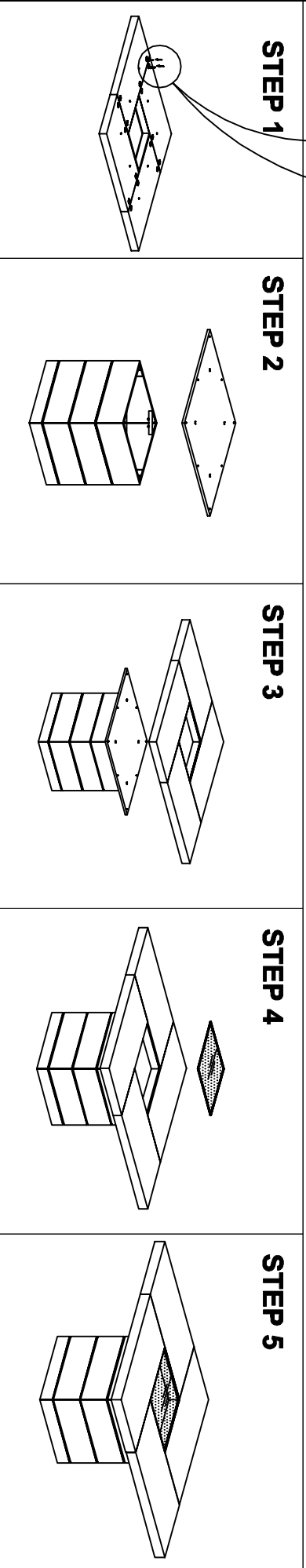


FITTINGS



A	 M6 x 35+Screw	x8
B	 \varnothing 17 \varnothing 8x2 Washer	x28
C	 M8 x 35 Hexagon Head Screw	x4
D	 Allen Key(5mm)	x1
E		x1
F	 M8 x 95+Screw	x8
G	 \varnothing 9 HALF ROUND WASHER	x16
H	 Nut	x16
I	 Spanner (13mm)	x2



TITLE:	ASSEMBLY DRAWING:			ITEM:	VISTA DINING TABLE(J2013)
SCALE:	N.T.S	DATE:	2007-11-24	DRAWING BY:	LMJ-A1981
					DRAWING NO: