

# ASSEMBLY INSTRUCTIONS

## MODEL : BOCOLIC SIDE DINING CHAIR

### ASSEMBLY TIPS:

1. Remove hardware from box and sort by size
2. Please check to see that all hardware and parts are present prior start of assembly
3. Please follow attached instructions in the same sequence as numbered to assure fast & easy assembly

### ⚠ Warning !

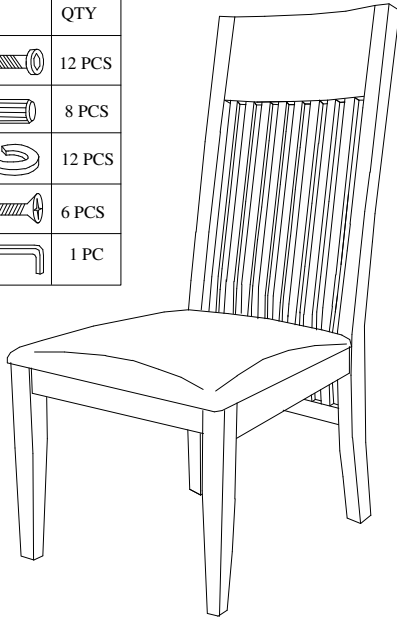
1. Don't attempt to repair or modify parts that are broken or defective. Please contact the store immediately.
2. This product is for home use only and not intended for commercial establishment

### IMPORTANT NOTE :

- \* Place all wooden part on a clean and smooth such as a rug or carpet to avoid the parts from being scratched.
- \* Before you begin, kindly follow the assembly instructions step by step.

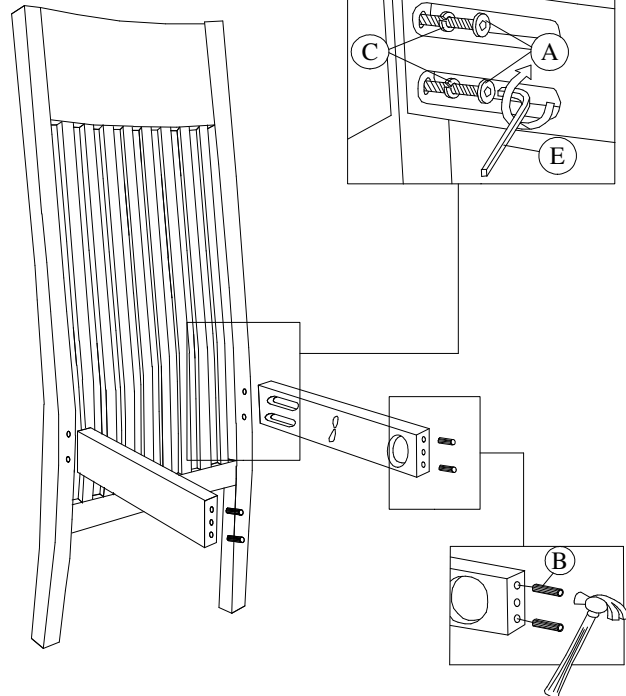
### HARDWARE LIST

NO	DESCRIPTION	QTY
A	M6 X 50MM JCBC BOLT	12 PCS
B	8 X 30MM WOOD DOWEL	8 PCS
C	SPRING WASHER ¼	12 PCS
D	M4 X 32MM C/B SCREW	6 PCS
E	ALLEN KEY M4	1 PC

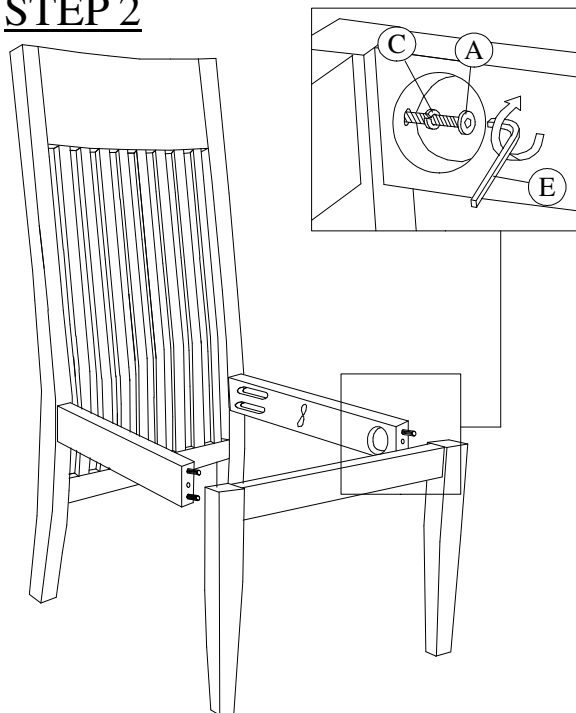


Fully Set-up(Side chair)

### STEP 1



### STEP 2



### STEP 3

